

Value For
Small Animals' Health



Vathin® H-SteriScope™ I Single-use Veterinary Endoscope

- ◎ **Cost Effective**
- ◎ **No Maintenance**
- ◎ **Good Operability**
- ◎ **High Efficiency**



Digital Video Monitor





210° Bending *Wider angulation*

Up and down angulation ranges of 210° support smoother insertion into the lobe bronchus. Moreover the bending has high durable ability, which is the same with reusable ones.

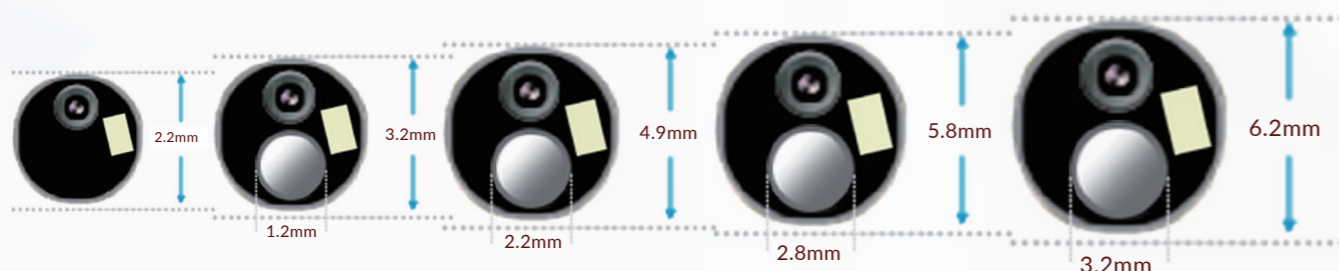
90° Rotation

The insertion tube can be rotated left or right up to 90° by simply turning a ring on the control section of the scope. This improve ease of operator control.



Easy Insertion

H-SteriScope™ is very thin that can easily enter small pets such as dog and cat's nose, mouth or body. 1.2mm Diameter Working channel is suitable for a 1.0mm biopsy forcep or brush.



Specifications

| Model | PE-S1501 | PE-S1711 | PE-S1E00 | PE-S1H00 | PE-S1J01 |
|-------------------------|-------------|-------------|-------------|-------------|-------------|
| Bending Section | U210°/D210° | U210°/D210° | U210°/D210° | U210°/D210° | U210°/D210° |
| Insertion Tube OD | 2.2mm | 3.2mm | 4.9mm | 5.8mm | 6.2mm |
| Working Channel | - | 1.2mm | 2.2mm | 2.8mm | 3.2mm |
| Working Length | 700/600mm | | | | |
| Field of View | 110°±5% | | | | |
| Depth of View | 3-100MM | | | | |
| Illumination Method | LED | | | | |
| Suction Connector | Φ7±1 | | | | |
| Method of Sterilization | ETO | | | | |

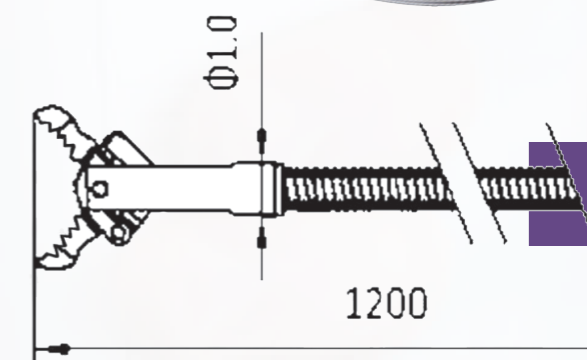
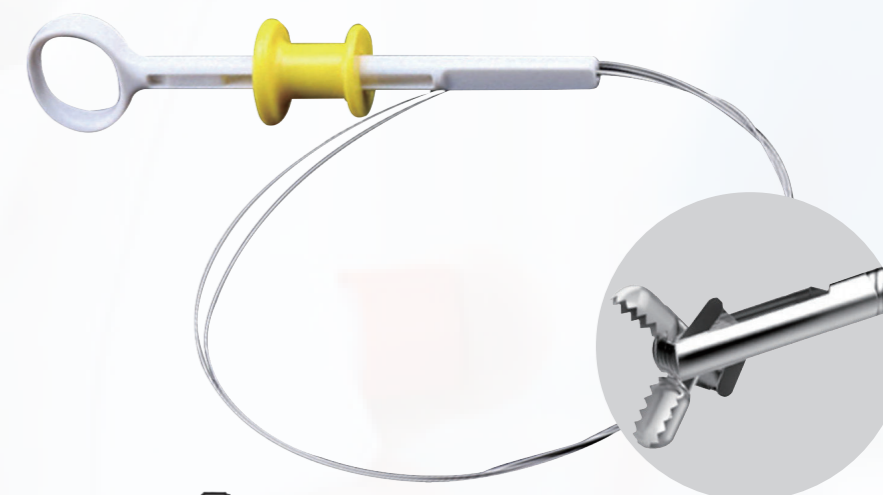
1.0 mm Endoscopic Biopsy Forceps With Alligator Teeth

Specifiction

Working length **1200 mm**
 Tube diameter **1.0 mm**
 Endoscope channel Diameter **<1.2 mm**

Usage

Used for endoscopically to obtain biopsy samples.



Features

01 The jaws are made from medical stainless steel, and the tip is carefully polished. It reduces damage to working channel.

Special processing of the cutting edge makes it sharp, consistent with each other, and sampling easily and reliably.

02

03 Laser welding ensures high connection strength between components.

Optimal design of handle makes the open or close limitation very clear and comfortable.

04